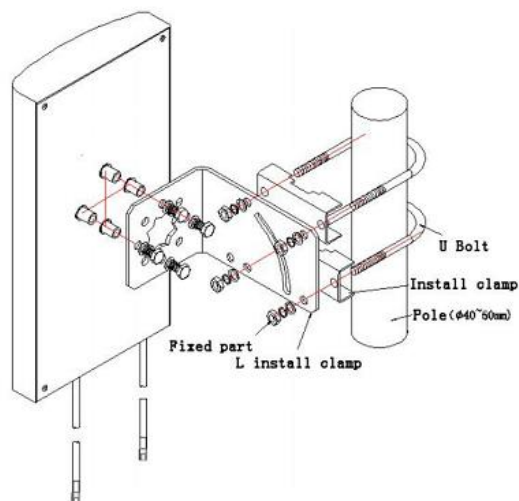


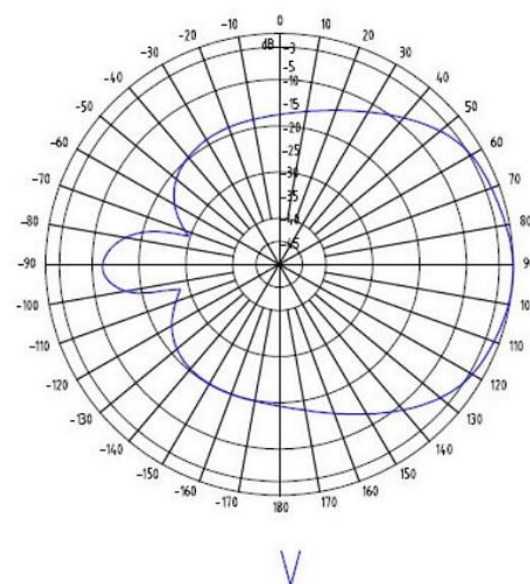
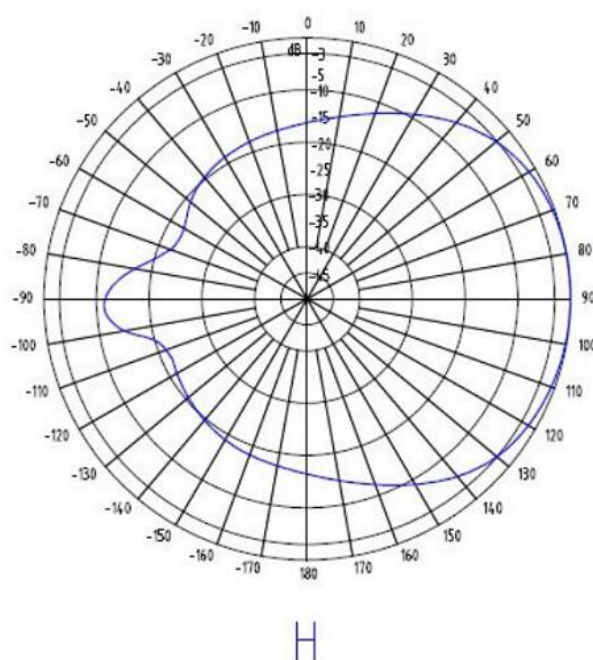
# LTE MIMO antenna , flat panel cross polarized outdoor LTE dual antenna with 8-9dB gain



## Installation Instruction



## Radiation characteristics



## ELECTRICAL Specification

Model number: ANTLTEMIMO8-xx

Frequency Range 698-960/1710--2700MHz

Gain 8/9\*2dBi

Beamwidth H: 79±5° , E: 68±5°

VSWR ≤1.8

Polarization ±45°

F/B Ratio ≥13dB

Isolation ≥25dB

Max Power 100W

Nominal Impedance 50Ω

Lightning Protection DC Ground

## MECHANICAL Specification

Antenna Dimension 280\*180\*60mm

Weight 0.75kg

Radome Material Waterproof ABS

Working Temperature -40°C~ + 65°C

Antenna Color White

Rated Wind Velocity 60m/s

Pole Diameter Φ35-55mm

Connectors and cables are customized