

Robust external GSM antenna for cars, tracks and buses



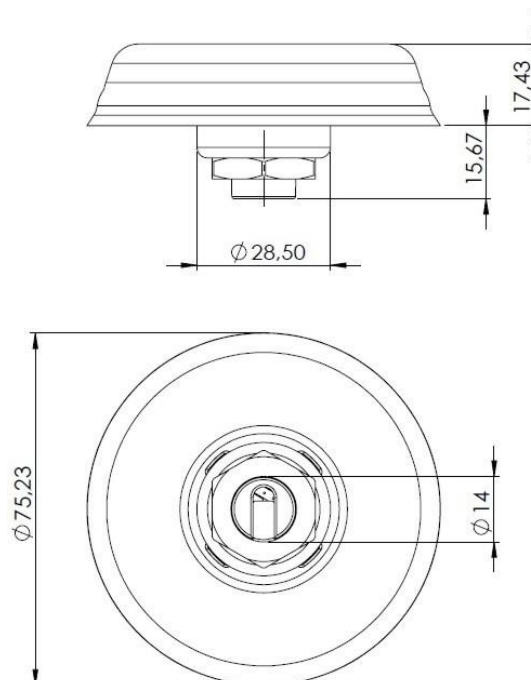
- Frequencies:
AMPS (824-894 MHz)
ISM (868 MHz)
GSM (900 MHz)
DCS (1800 MHz)
PCS (1900 MHz)
3G (UMTS 2.1 GHz)
WIFI / BLUETOOTH (2.4 GHz)
- Impedance: 50 Ohms
- Polarization: Linear
- Gain: 2.2 dBi
- VSWR: <2:1
- Operating temperature: -40 °C to +85°C

Connection Specifications

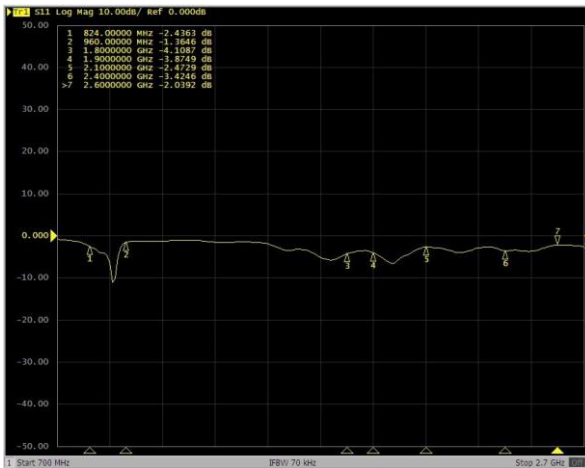
- Connector type: FME female
- Cable: RG174U
- Cable length: 2,5 meter

Mechanical Specifications and Dimensions

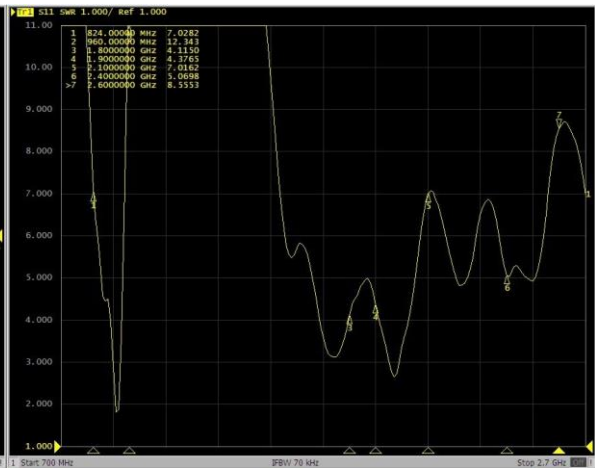
- Material: Lid: ABS/ Base: Zamak / Gasket: TPE
- Dimensions: 77.4 mm x 15.9 mm (dimensions after mounting)
- Weight: 150 g (counted with 2.5 m cable RG174)
- Colour: Black (for different colours please ask our sales team)



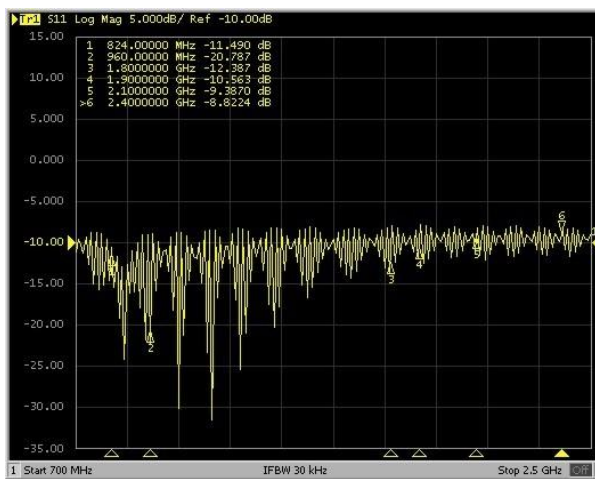
Log Mag



VSWR



Log Mag



VSWR

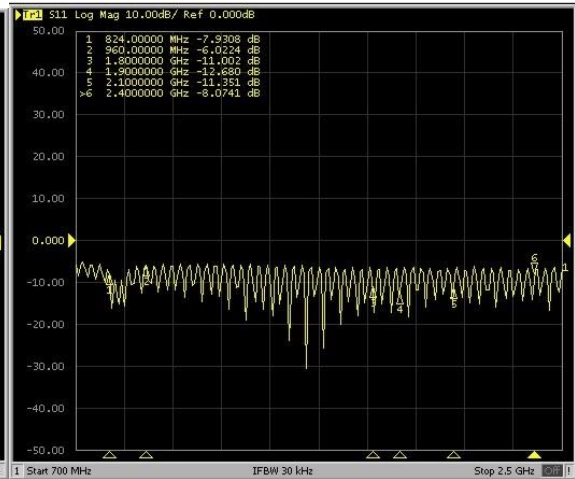


Figure 1 - Log Mag (Tested with 3m cable length)

Figure 2 - Log Mag (Tested with 5m cable length)